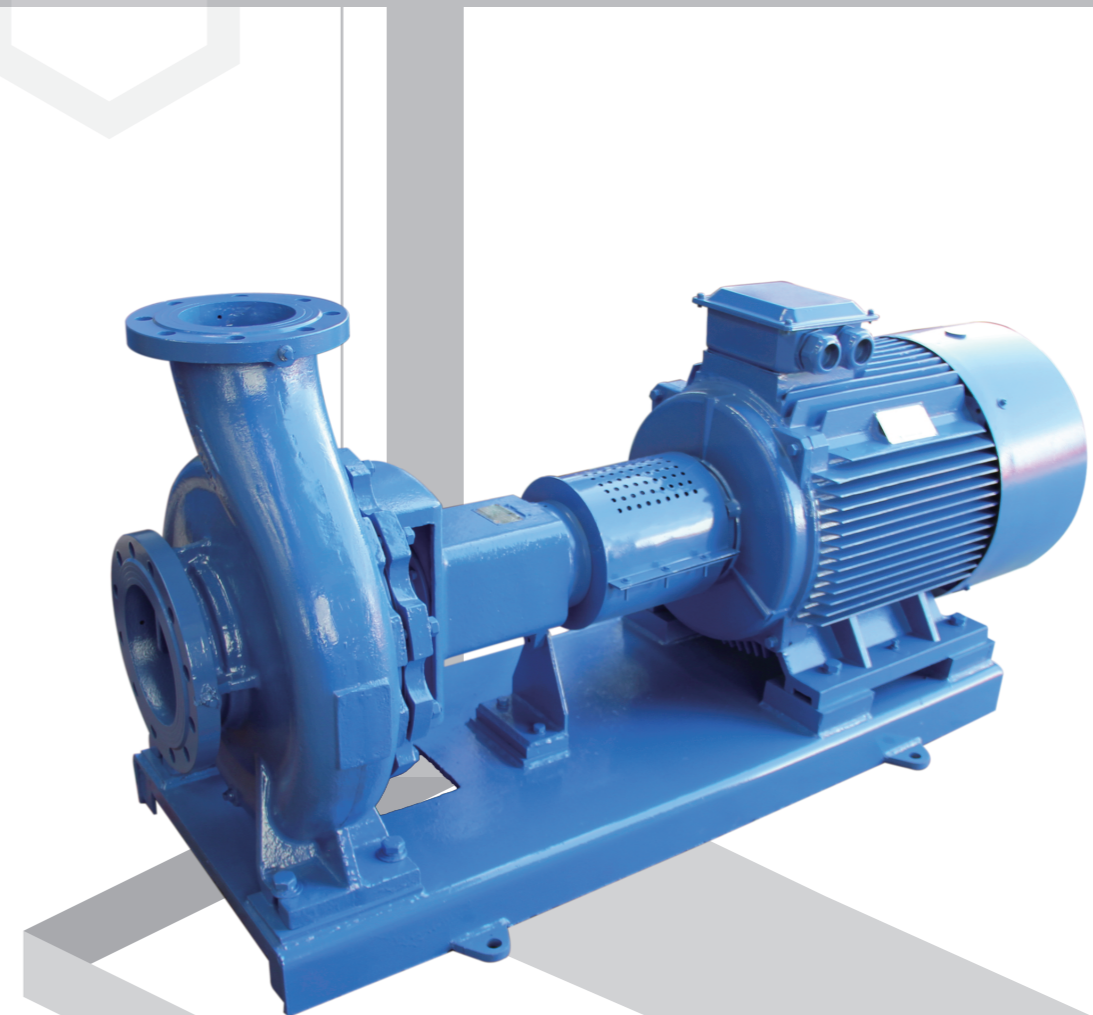




# IS型单级单吸离心泵

IS MODEL SINGLE-STAGE SINGLE-SUCTION CENTRIFUGAL PUMP



**上海连成（集团）有限公司**  
SHANGHAI LIANCHENG (GROUP)CO.,LTD.

地址：上海市江桥镇曹安公路3616-3618号  
邮编：201812  
总机：(021) 59138888  
传真：(021) 59136782  
800免费咨询电话：800-820-5009  
400免费咨询电话：400-188-5009

Address:3616-3618 Cao'an Road,Jiangqiao Shanghai  
P.C.: 201812  
Switchboard: (021) 59138888  
Fax: (021) 59136782  
800 Free consultation Tel: 800-820-5009  
400 Free consultation Tel: 400-188-5009



连成集团微信公众号

# 目 录

## CONTENTS

<b>产品概述</b> Product overview	1
<b>结构特点</b> Structure characteristics	1
<b>工作条件</b> Working conditions	2
<b>型号意义</b> Model meaning	3
<b>主要用途</b> Main purpose	3
<b>结构说明</b> Structure description	4
<b>型谱图</b> Atlas of style	5
<b>性能参数表</b> Performance table	6
<b>泵头安装尺寸图</b> Size of installation of pump head	17
<b>泵头安装尺寸表</b> Table of installation of pump head	18
<b>外形及安装尺寸图表</b> Out-form and installation dimension drawing, table	19
<b>管路损耗参考表</b> Reference table for pipeline loss	23

## 产品概述 Product overview

新型IS系列单级单吸悬臂式离心泵是本公司严格按照国际标准ISO2858及最新国家标准GB/T5767设计成功的新一代高效节能产品，其性能参数是由原IS型清水离心泵性能参数优化、扩展而成，其内部结构、整体外观是集成原IS型清水离心泵及现有的卧式泵、悬臂式泵的优点设计而成，使其不论性能参数还是内部结构以及整体外观都更趋于合理、可靠。

该系列产品包含了国际标准ISO2858所规定的全部型号产品，并增加了进口口径250以上（包含250口径）型号产品，通过切割叶轮和调整转速可以获得170种型号的产品，能适应各行各业的输水需求。

该系列泵可供输送清水或物理化学性质类似于清水且不含固体颗粒的液体之用。该系列泵可根据实际需要派生设计制造成ISR型热水泵及ISY型油泵；IS型泵适用于介质温度80℃以下，ISR型泵适用于介质温度100℃以下，ISY型泵适用于输送汽油、柴油等轻油。

该系列泵流量范围为3.4~1440m<sup>3</sup>/h，扬程范围为3.7~133m，按转速可分为普通转速型（转速2900r/min）和降速型（转速1450r/min），按叶轮的切割型式可分为O型、A型及B型，其中O型为原型叶轮，A型为第一次切割叶轮，B型为第二次切割叶轮。

Model IS series single-stage single suction cantilever centrifugal pump is the company strictly in accordance with ISO2858 international standards and the latest national standard GB/T5767 the successful design of a new generation of energy efficient products, its performance parameters is by original is type centrifugal water pump performance parameter optimization and expansion, the internal node structure and the overall appearance is the design of the advantages of integration is type centrifugal water pump and the existing horizontal pump, cantilever pump, the regardless of performance parameters and internal structure and the overall appearance are tends to be more reasonable and reliable.

The series contains international standard ISO2858 all types of products, and to increase the inlet diameter more than 250 (contains 250 caliber) types of products, by cutting impeller and to adjust the rotation speed can be obtained 170 kinds of products to meet the water needs of all walks of life.

This series of pumps can be used to transport water or similar physical and chemical properties of water and liquid containing solid particles with. This series of pumps can be according to the actual needs of the derived design and manufacture of ISR type hot water pump and isy type oil pump; pump model is is applicable in the medium temperature is 80℃ below, ISR type pump application in medium temperature of 100 ℃ below, ISY type pump is used for transportation of gasoline, diesel oil and light oil.

The series pump flow range is 3.4 ~ 1440m<sup>3</sup>/h, range of head to 3.7 ~ 133m. Can be divided by the speed of normal speed (speed 2900r/min) and decreasing speed type (1450r/min), according to the impeller cutting pattern can be divided into type O, type A and type B, the o type impeller prototype. Type A is the one time cutting impeller, B for the second cutting impeller.

## 结构特点 Structure characteristics

1、为单级单吸悬臂卧式结构，包含泵组件、悬架组件、电机和底座四大组件，泵组件主要包含泵体、泵盖、叶轮等零件，悬架组件主要包含轴承悬架、轴、轴承支架、轴承、轴承压盖等零件。

1. For the single stage single suction horizontal cantilever structure and consists of four major components such as pumps, suspension components, motor and base components and pump assembly consists of pump body, a pump cover, impeller and other parts, suspension assembly includes suspension bearing, a shaft, a bearing support, a bearing, a bearing gland, etc. parts.

2、为后开门结构，其优点是检修方便，检修时可以不拆泵体、吸入管路及排出管路，甚至于在机组配置加长联轴器时可以不拆电动机而只拆下加长联轴器的中间连接器即可退出转子部分进行检修。

3、泵体和泵盖构成泵的工作室，泵体有支脚支撑。叶轮、轴和轴承等组成泵组的转子。轴承悬架与轴承支架联结在一起承载转子部件。

4、为平衡泵的轴向力，大多数泵的叶轮设有后密封环，与叶轮后盖板上的平衡孔配合平衡轴向力，另一方面也可以降低密封腔的压力以利于密封能达到更好的效果。

5、泵的轴封型式采用机械密封型式。轴采用20Cr13材质，既防腐蚀又耐磨。

6、为滚动轴承结构，滚动轴承承受泵的径向力和轴向力，轴承的润滑55及以下悬架采用脂润滑，55以上悬架采用油润滑。

7、传动方式为弹性柱销联轴器传动，也可采用带有中间联轴器的加长弹性柱销联轴器、膜片联轴器。

8、从电机风扇端看，泵的旋转方向为顺时针方向。

2. After the door structure. Its advantages are convenient for repair and maintenance can be real pump, suction pipe and discharge pipe, even in the unit configuration of the lengthened coupling real motor and remove only lengthened coupling intermediate connector can exit the rotor part of the inspection and repair.

3. Pump body and pump cover to form the pump's studio, pump body has support. Impeller, shaft and bearing, etc. Bearing suspension and bearing bracket are connected together to carry the rotor component.

4. To balance the pump axial force, most of the pump impeller is provided with a rear sealing ring, and back cover plate of the impeller balance hole with the balance of axial force, on the other hand can also reduce the sealing cavity pressure to seal can achieve better effect.

5. The pump shaft seal type mechanical seal. Shaft using 20Cr13 material, not only to prevent corrosion and wear.

6. For the rolling bearing structure, rolling bearing pump radial force and axial force, the lubrication of bearings 55 and the following suspension with grease lubrication, more than 55 of the suspension with oil lubrication.

7. Transmission mode for elastic pin coupling drive, can also be used with the intermediate coupling of the extension of the elastic pin coupling, diaphragm coupling.

8. From the motor fan side, the rotation direction of the pump clockwise.

## 工作条件 Working conditions

1、泵最大工作压力（最大允许进口压力+泵设计压力）<1.6MPa，订货请注明系统工作压力；

最大允许进口压力0.4MPa。

2、适应介质：清水介质应无腐蚀性液体、介质固体不溶物，其体积不超过单位体积的0.1%，粒度<0.2mm，如介质为带有细小颗粒的请在订货时说明；

3、周围环境温度不超过40℃，相对湿度不超过95%；

4、从电机端看，泵的旋转方向为顺时针方向旋转（CW）。

5、机组常规转速为2900r/min和1450r/min，当采用其它转速时须沟通、说明。

1. The maximum working pressure of pump (maximum allowable inlet pressure + pump design pressure) <1.6MPa, ordering please specify the system working pressure; Maximum allowable inlet pressure 0.4MPa.

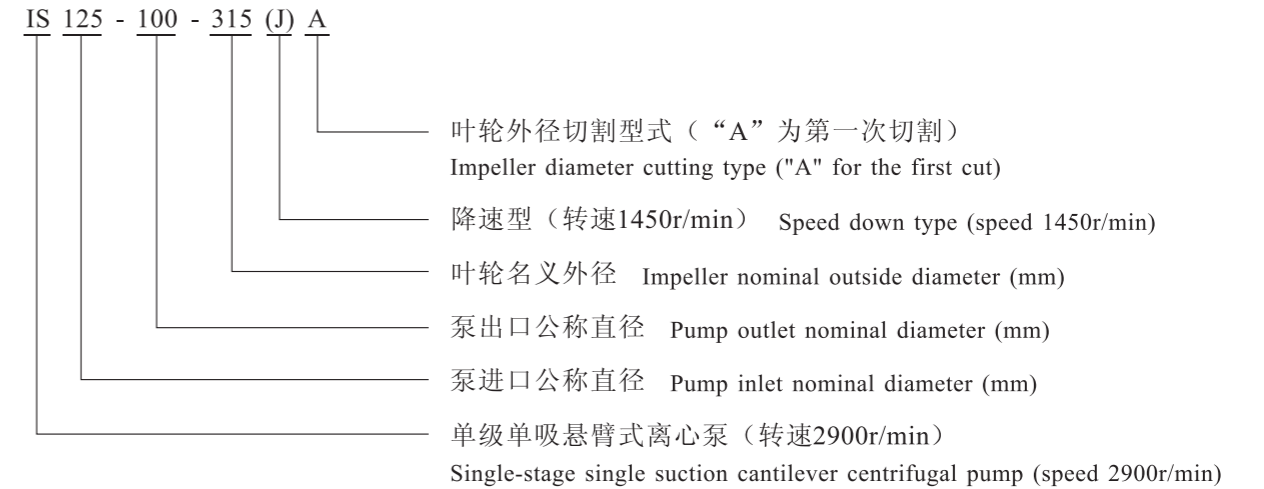
2. Adaptation medium: clear water media should be no corrosive liquid, solid media, the volume is not more than 0.1% of the unit volume, particle size, 0.2mm, such as the medium for the small particles with the please note;

3. The ambient temperature is not more than 40℃, the relative humidity is not more than 95%;

4. From the motor side, the rotation direction of the pump clockwise rotation (CW).

5. The conventional speed of the unit is 2900r/min and 1450r/min, when the use of other speed to communicate, description.

## 型号意义 Model meaning



## 主要用途 Main purpose

1、常规配置泵可适用于清水或物理化学性质类似于清水的液体，适用于工业和城市给排水、水循环增压系统、消防系统、空调系统、生产工艺系统及设备配套等领域，使用温度-20℃~80℃。

2、热水泵可适用于较高温度的清水或物理化学性质类似于清水的液体，适用于锅炉系统、供暖系统、热电站、余热利用等领域，使用温度80℃~100℃。

3、不锈钢材质泵可适用于有轻度腐蚀性的液体，适用于轻纺、石油、化工、冶金、电力、造纸、食品、制药和合成纤维等部门，使用温度-20℃~100℃。

4、采用防爆电机的泵可适用于有易燃、易爆危险的液体，适用于轻纺、石油、化工、冶金、矿山等部门，使用温度-20℃~100℃。

1. The conventional pump configuration can be applied in water or the physical and chemical properties similar to liquid water apply to industrial and urban drainage, water circulation pressurization system, fire protection system, air conditioning system, production system and equipment such as field for, use temperature of - 20℃~80℃.

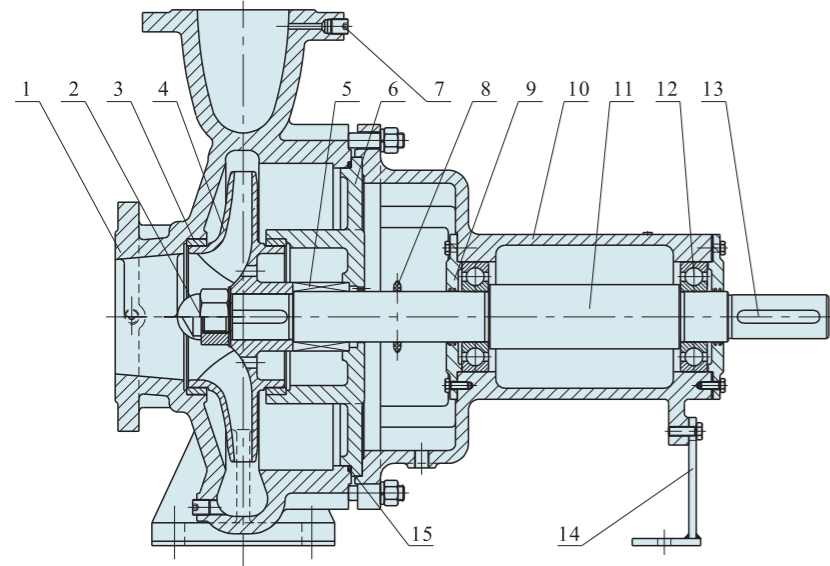
2. Hot water pump can be applied to a higher temperature of water or physical and chemical properties similar to the water of the liquid, suitable for boiler systems, heating systems, thermal power stations, waste heat utilization and other fields, the use of temperature 80℃~100℃.

3. Stainless steel material of pump can be applied to mildly corrosive liquid for in textile, petroleum, chemical, metallurgy, electric power, papermaking, foodstuff, pharmaceuticals, synthetic fibers, such as departments, use temperature of - 20℃~100℃.

4. The use of explosion-proof motor pump can be used in flammable and explosive liquid, suitable for textile, petroleum, chemical, metallurgy, mining and other departments, the use of temperature - 20℃~100℃.

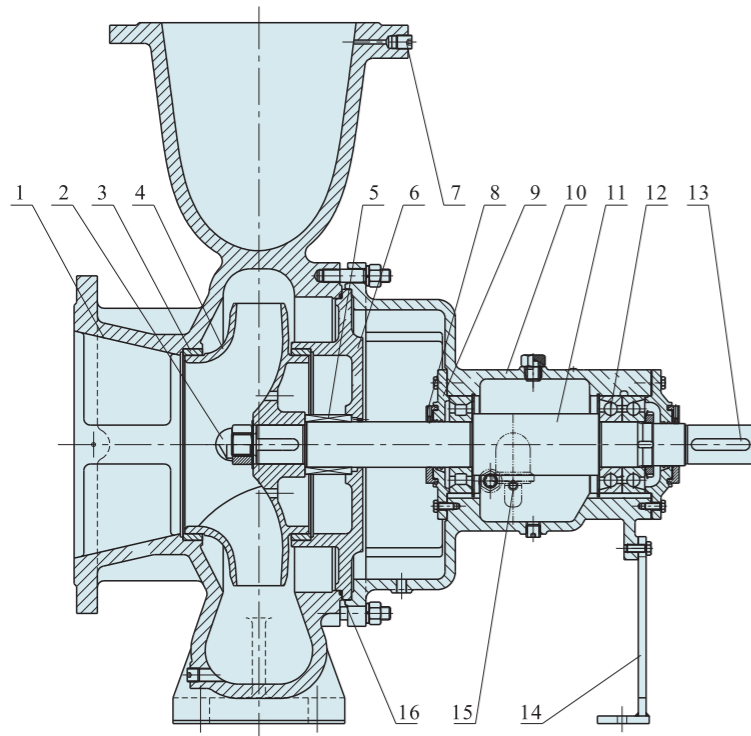
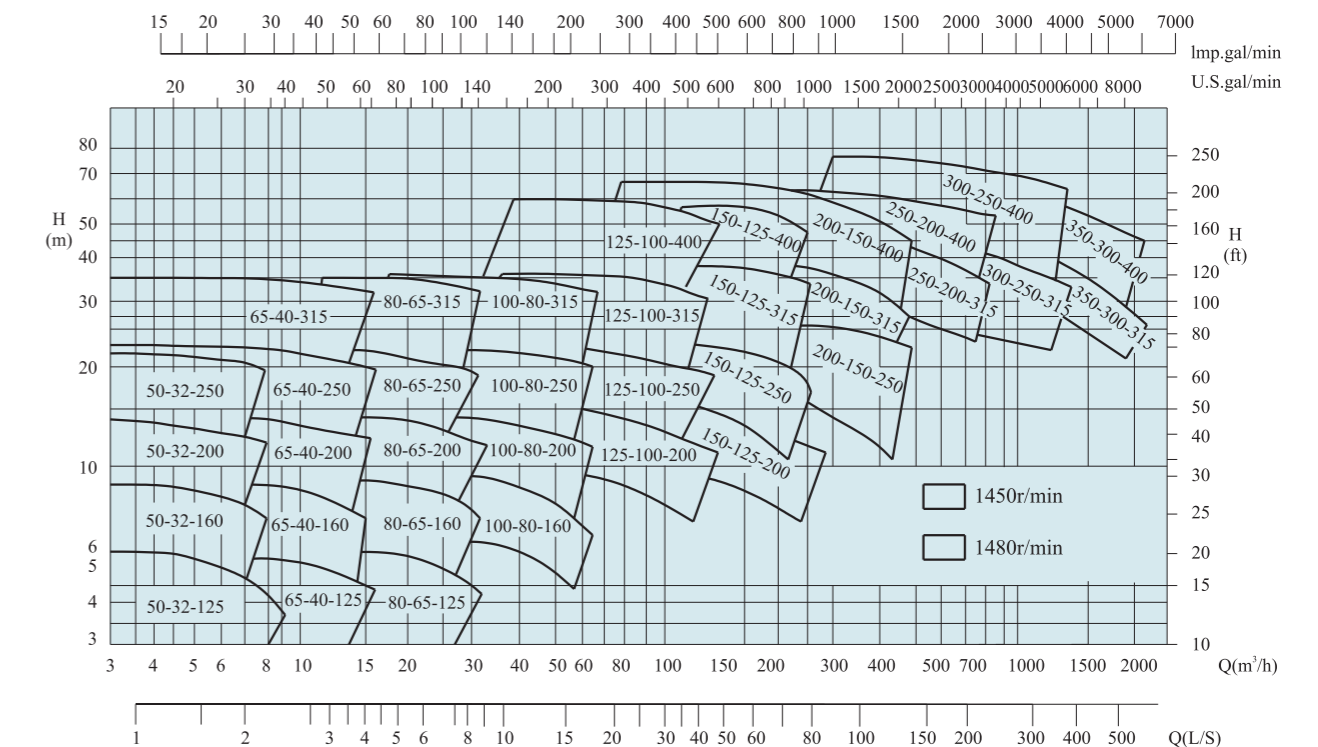
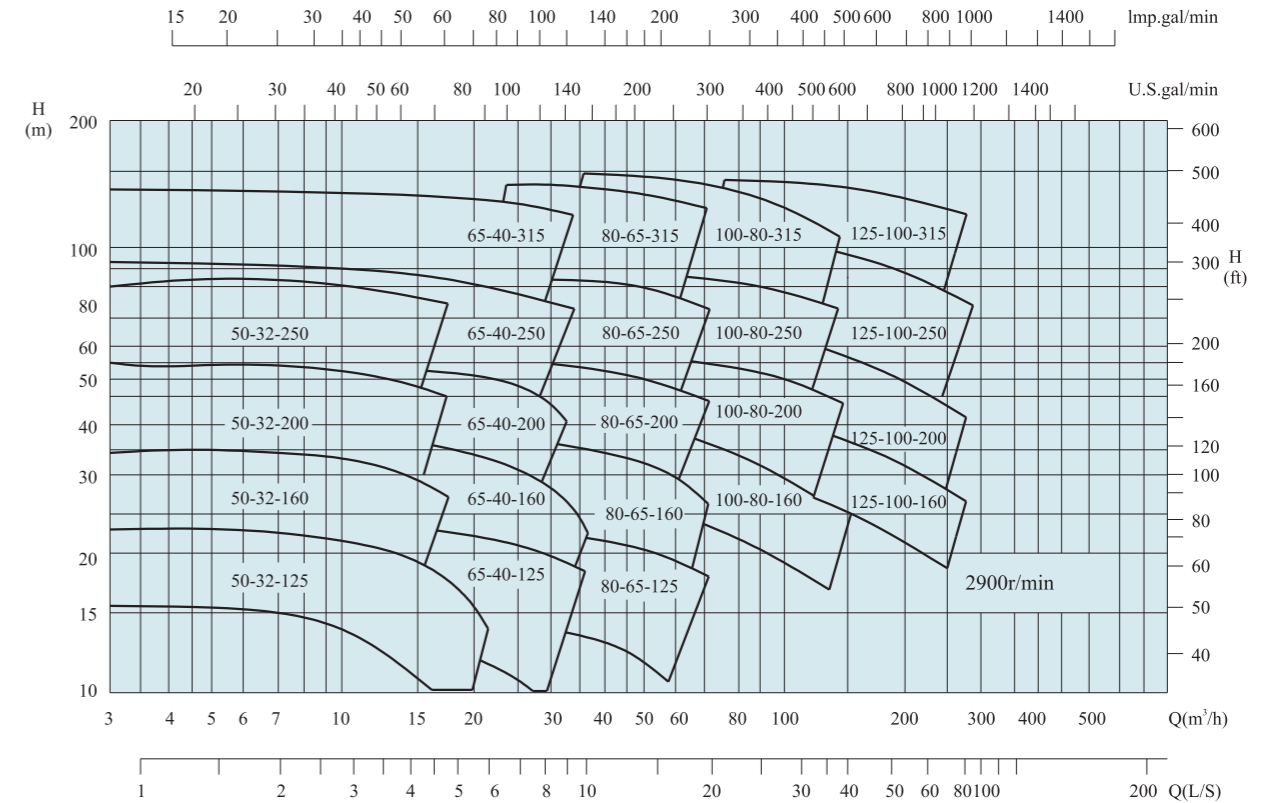
#### 结构说明 Structure description

#### 型谱图 Atlas of style



结构图1 (脂润滑结构)  
Structure figure 1 (grease lubrication structure)

序号 No.	名称 Name	常规材质 Common material
1	泵体 Pump casing	HT200
2	叶轮螺母 Impeller nut	45
3	密封环 Sealing ring	HT200
4	叶轮 Impeller	HT200
5	机械密封 Mechanical seal	碳化硅-石墨 Silicon carbide graphite
6	泵盖 Pump cover	HT200
7	丝堵 Plug	KTH300-6
8	挡水圈 The retaining ring	丁腈橡胶 Nitrile rubber
9	轴承压盖 Bearing cover	HT200
10	轴承悬架 Suspension bearing	HT200
11	轴 Shaft	20Cr13
12	滚动轴承 Rolling bearing	
13	键 Key	45
14	轴承支架 Bearing bracket	Q235-A
15	O型密封圈 O sealing ring	氟橡胶 Fluorine rubber



结构图2 (油润滑结构)  
Structure figure 2 (oil lubrication structure)

序号 No.	名称 Name	常规材质 Common material
1	泵体 Pump casing	HT200
2	叶轮螺母 Impeller nut	45
3	密封环 Sealing ring	HT200
4	叶轮 Impeller	HT200
5	机械密封 Mechanical seal	碳化硅-石墨 Silicon carbide graphite
6	泵盖 Pump cover	HT200
7	丝堵 Plug	KTH300-6
8	防尘盘 Deflector	HT200
9	轴承压盖 Bearing cover	HT200
10	轴承悬架 Suspension bearing	HT200
11	轴 Shaft	20Cr13
12	滚动轴承 Rolling bearing	
13	键 Key	45
14	轴承支架 Bearing bracket	Q235-A
15	油杯 Oil cup	
16	O型密封圈 O sealing ring	氟橡胶 Fluorine rubber





性能参数表 Performance table

型号 Model	叶轮型式 Impeller type	流量 Capacity		扬程 Head (m)	转速 Speed (r/min)	功率 Power (kW)		效率 Eff. (%)	必需汽蚀余量 (NPSH) <sub>r</sub> (m)	总质量 Total weight (kg)
		(m <sup>3</sup> /h)	(L/s)			轴功率 Shaft	电机功率 Motor power			
50-32-125(J)	O	3.8	1.1	5.4	1450	0.1	0.55	43.0	2.0	85
		6.3	1.8	5.0		0.2		54.0	2.0	
		7.5	2.1	4.6		0.2		55.0	2.5	
	A	3.6	1.0	4.9	1450	0.1	0.55	42.0	2.0	85
		6.0	1.7	4.6		0.1		52.0	2.0	
		7.2	2.0	4.2		0.2		53.0	2.3	
	B	3.4	0.9	4.3	1450	0.1	0.55	41.0	2.0	85
		5.6	1.6	4.0		0.1		50.0	2.0	
		6.7	1.9	3.7		0.1		51.0	2.1	
50-32-160(J)	O	3.8	1.1	8.5	1450	0.3	0.55	35.0	2.0	90
		6.3	1.8	8.0		0.3		48.0	2.0	
		7.5	2.1	7.5		0.3		49.0	2.5	
	A	3.4	0.9	7.1	1450	0.2	0.55	34.0	2.0	90
		5.7	1.6	6.7		0.2		45.5	2.0	
		6.8	1.9	6.2		0.3		46.0	2.2	
	B	3.0	0.8	5.6	1450	0.1	0.55	32.0	2.0	90
		5.1	1.4	5.3		0.2		42.0	2.0	
		6.1	1.7	4.9		0.2		42.5	2.0	
50-32-200(J)	O	3.8	1.1	13.1	1450	0.4	0.75	33.0	2.0	100
		6.3	1.8	12.5		0.5		42.0	2.0	
		7.5	2.1	12.0		0.6		44.0	2.5	
	A	3.6	1.0	12.3	1450	0.4	0.75	32.5	2.0	100
		6.1	1.7	11.8		0.5		41.5	2.0	
		7.3	2.0	11.3		0.5		43.2	2.3	
	B	3.5	1.0	11.3	1450	0.3	0.75	32.0	2.0	100
		5.9	1.6	10.8		0.4		40.7	2.0	
		7.0	1.9	10.4		0.5		42.5	2.2	
50-32-250(J)	O	3.8	1.1	20.5	1450	0.9	1.5	23.0	2.0	160
		6.3	1.8	20.0		1.1		32.0	2.0	
		7.5	2.1	19.5		1.1		35.0	2.5	
	A	3.5	1.0	17.7	1450	0.8	1.1	22.1	2.0	155
		5.9	1.6	17.2		0.9		31.2	2.0	
		7.0	1.9	16.8		0.9		34.2	2.3	
	B	3.2	0.9	15.3	1450	0.6	1.1	21.5	2.0	155
		5.4	1.5	14.9		0.7		30.5	2.0	
		6.5	1.8	14.6		0.8		33.5	2.1	
65-40-125(J)	O	7.5	2.1	5.4	1450	0.2	0.55	53.0	2.0	90
		12.5	3.5	5.0		0.3		64.0	2.0	
		15.0	4.2	4.7		0.3		65.0	2.5	
	A	7.0	1.9	4.7	1450	0.2	0.55	50.5	2.0	90
		11.7	3.3	4.4		0.2		61.5	2.0	
		14.1	3.9	4.1		0.3		62.0	2.3	
	B	6.6	1.8	4.1	1450	0.2	0.55	46.5	2.0	90
		11.1	3.1	3.8		0.2		57.0	2.0	
		13.2	3.7	3.6		0.2		57.5	2.2	

性能参数表 Performance table

型号 Model	叶轮型式 Impeller type	流量 Capacity		扬程 Head (m)	转速 Speed (r/min)	功率 Power (kW)		效率 Eff. (%)	必需汽蚀余量 (NPSH) <sub>r</sub> (m)	总质量 Total weight (kg)
		(m <sup>3</sup> /h)	(L/s)			轴功率 Shaft	电机功率 Motor power			
65-40-160(J)	O	7.5	2.1	8.8	1450	0.4	0.75	50.0	2.0	96
		12.5	3.5	8.0		0.5		60.0	2.0	
		15.0	4.2	7.2		0.5		60.0	2.5	
	A	7.0	1.9	7.8	1450	0.3	0.75	47.0	2.0	96
		11.7	3.3	7.0		0.4		58.0	2.0	
		14.1	3.9	6.3		0.4		58.0	2.3	
	B	6.5	1.8	6.6	1450	0.3	0.55	45.5	2.0	92
		10.8	3.0	6.0		0.3		55.0	2.0	
		13.0	3.6	5.4		0.4		55.0	2.1	
65-40-200(J)	O	7.5	2.1	13.2	1450	0.6	1.1	43.0	2.0	120
		12.5	3.5	12.5		0.8		55.0	2.0	
		15.0	4.2	11.8		0.9		57.0	2.5	
	A	7.1	2.0	11.9	1450	0.5	1.1	43.0	2.0	120
		11.9	3.3	11.3		0.7		55.0	2.0	
		14.3	4.0	10.7		0.7		57.0	2.3	
	B	6.8	1.9	10.7	1450	0.5	1.1	43.0	2.0	120
		11.3	3.1	10.1		0.6		55.0	2.0	
		13.5	3.8	9.6		0.6		57.0	2.1	
65-40-250(J)	O	7.5	2.1	21.0	1450	1.2	2.2	35.0	2.0	180
		12.5	3.5	20.0		1.5		46.0	2.0	
		15.0	4.2	19.4		1.7		48.0	2.5	
	A	7.0	1.9	18.4	1450	1.0	1.5	35.0	2.0	170
		11.7	3.3	17.6		1.3		44.8	2.0	
		14.1	3.9	17.0		1.4		47.0	2.3	
	B	6.6	1.8	16.0	1450	0.8	1.5	34.8	2.0	170
		10.9	3.0	15.3		1.0		43.8	2.0	
		13.1	3.6	14.8		1.2		46.2	2.1	
65-40-315(J)	O	7.5	2.1	32.3	1450	2.6	4	25.0	2.5	210
		12.5	3.5	32.0		2.9		37.0	2.5	
		15.0	4.2	31.7		3.2		41.0	3.0	
	A	7.0	1.9	28.1	1450	2.2	3	25.0	2.5	205
		11.7	3.3	27.9		2.4		36.6	2.5	
		14.0	3.9	27.6		2.6		40.8	2.8	
	B	6.6	1.8	24.8	1450	1.8	3	25.0	2.5	205
		11.0	3.1	24.6		2.0		36.3	2.5	
		13.1	3.6	24.3		2.2		40.6	2.6	
80-65-125(J)	O	15.0	4.2	5.6	1450	0.4	0.75	55.0	2.5	34
		25.0	6.9	5.0		0.5		71.0	2.5	
		30.0	8.3	4.5		0.5		72.0	3.0	
	A	14.4	4.0	5.1	1450	0.4	0.75	54.5	2.5	34
		23.9	6.6	4.6		0.4		70.0	2.5	
		28.7	8.0	4.1		0.5		71.0	2.8	
	B	13.1	3.6	4.3	1450	0.3	0.55	53.0	2.5	32
		21.8	6.1	3.8		0.3		66.0	2.5	
		26.1	7.3	3.4		0.4		67.0	2.6	

性能参数表 Performance table

型号 Model	叶轮型式 Impeller type	流量 Capacity		扬程 Head (m)	转速 Speed (r/min)	功率 Power (kW)		效率 Eff. (%)	必需汽 蚀余量 (NPSH) <sub>r</sub> (m)	总质量 Total weight (kg)
		(m <sup>3</sup> /h)	(L/s)			轴功率 Shaft	电机功率 Motor power			
80-65-160(J)	O	15.0	4.2	9.0	1450	0.7	1.5	55.0	2.5	110
		25.0	6.9	8.0		0.8		69.0	2.5	
		30.0	8.3	7.2		0.9		68.0	3.0	
	A	14.1	3.9	7.9	1450	0.6	1.1	53.5	2.5	105
		23.5	6.5	7.0		0.7		66.5	2.5	
		28.2	7.8	6.3		0.7		65.5	2.8	
	B	13.0	3.6	6.7	1450	0.5	1.1	51.0	2.5	105
		21.6	6.0	6.0		0.6		63.0	2.5	
		25.9	7.2	5.4		0.6		62.0	2.6	
80-65-200(J)	O	15.0	4.2	13.2	1450	1.1	2.2	51.0	2.5	120
		25.0	6.9	12.5		1.3		65.0	2.5	
		30.0	8.3	11.8		1.4		67.0	3.0	
	A	14.0	3.9	11.5	1450	0.9	1.5	50.6	2.5	115
		23.3	6.5	10.9		1.1		63.0	2.5	
		27.9	7.8	10.2		1.2		65.0	2.7	
	B	12.8	3.6	9.6	1450	0.7	1.5	49.4	2.5	115
		21.3	5.9	9.1		0.9		61.5	2.5	
		25.6	7.1	8.6		1.0		62.5	2.5	
80-65-250(J)	O	15.0	4.2	21.0	1450	1.8	3	49.0	2.5	175
		25.0	6.9	20.0		2.3		60.0	2.5	
		30.0	8.3	18.8		2.5		61.0	3.0	
	A	14.2	3.9	18.7	1450	1.5	3	49.0	2.5	175
		23.6	6.6	17.8		2.0		58.7	2.5	
		28.3	7.9	16.8		2.2		59.7	2.8	
	B	13.3	3.7	16.6	1450	1.2	2.2	49.0	2.5	170
		22.2	6.2	15.8		1.6		58.0	2.5	
		26.6	7.4	14.8		1.8		59.5	2.6	
80-65-315(J)	O	15.0	4.2	32.5	1450	3.4	5.5	39.0	2.5	240
		25.0	6.9	32.0		4.2		52.0	2.5	
		30.0	8.3	31.5		4.6		56.0	3.0	
	A	14.0	3.9	28.3	1450	2.8	5.5	39.0	2.5	240
		23.3	6.5	27.9		3.4		52.0	2.5	
		28.0	7.8	27.4		3.8		56.0	2.7	
	B	13.1	3.6	25.0	1450	2.3	4	39.0	2.5	210
		21.9	6.1	24.6		2.9		51.4	2.5	
		26.3	7.3	24.2		3.1		55.6	2.6	
100-80-160(J)	O	30.0	8.3	9.2	1450	1.1	2.2	67.0	2.0	150
		50.0	13.9	8.0		1.5		75.0	2.5	
		60.0	16.7	6.8		1.6		71.0	3.5	
	A	32.7	9.1	8.0	1450	1.0	1.5	66.5	2.0	140
		46.8	13.0	7.0		1.2		76.0	2.3	
		56.9	15.8	5.3		1.4		70.0	2.6	
	B	26.7	7.4	7.3	1450	0.8	1.5	66.0	2.5	140
		44.5	12.4	6.3		1.1		73.3	2.3	
		53.4	14.8	5.4		1.1		69.0	2.9	

性能参数表 Performance table

型号 Model	叶轮型式 Impeller type	流量 Capacity		扬程 Head (m)	转速 Speed (r/min)	功率 Power (kW)		效率 Eff. (%)	必需汽 蚀余量 (NPSH) <sub>r</sub> (m)	总质量 Total weight (kg)
		(m <sup>3</sup> /h)	(L/s)			轴功率 Shaft	电机功率 Motor power			
100-80-200(J)	O	30.0	8.3	13.5	1450	1.8	4	60.0	2.0	180
		50.0	13.9	12.5		2.3		73.0	2.0	
		60.0	16.7	11.8		2.6		74.0	2.5	
	A	28.2	7.8	11.9	1450	1.5	3	60.0	2.0	175
		47.0	13.1	11.1		2.0		72.7	2.0	
		56.4	15.7	10.4		2.2		73.7	2.3	
	B	26.7	7.4	10.7	1450	1.3	3	60.0	2.0	175
		44.6	12.4	9.9		1.7		72.3	2.0	
		53.5	14.9	9.4		1.9		73.3	2.2	
100-80-250(J)	O	30.0	8.3	21.3	1450	3.2	5.5	55.0	2.0	230
		50.0	13.9	20.0		4.0		68.0	2.0	
		60.0	16.7	19.0		4.4		70.0	2.5	
	A	28.0	7.8	18.6	1450	2.7	4	53.0	2.0	205
		46.7	13.0	17.4		3.4		65.5	2.0	
		56.0	15.6	16.6		3.7		67.8	2.3	
	B	26.1	7.3	16.1	1450	2.3	4	51.0	2.0	205
		43.5	12.1	15.2		2.9		62.0	2.0	
		52.2	14.5	14.4		3.2		64.6	2.1	
100-80-315(J)	O	30.0	8.3	34.0	1450	5.4	11	51.0	2.0	350
		50.0	13.9	32.0		6.9		63.0	2.0	
		60.0	16.7	30.0		7.7		64.0	2.5	
	A	28.0	7.8	29.6	1450	4.4	7.5	51.0	2.0	300
		46.7	13.0	27.9		5.6		62.8	2.0	
		56.0	15.6	26.1		6.3		63.3	2.3	
	B	26.3	7.3	26.1	1450	3.7	7.5	51.0	2.0	300
		43.8	12.2	24.6		4.7		62.7	2.0	
		52.6	14.6	23.0		5.3		62.2	2.1	
125-100-160(J)	O	52.3	14.5	10.7	1450	2.2	4	69.0	2.5	175
		87.2	24.2	9.5		2.9		77.0	2.5	
		105.0	29.2	8.3		3.2		74.0	3.0	
	A	48.0	13.3	9.0	1450	1.7	3	69.0	2.5	170
		80.0	22.2	8.0		2.3		77.0	2.5	
		96.0	26.7	7.0		2.5		74.0	3.0	
	B	44.9	12.5	7.9	1450	1.4	2.2	67.0	2.5	165
		74.8	20.8	7.0		1.9		75.0	2.5	
		89.8	24.9	6.1		2.1		72.0	3.0	
125-100-200(J)	O	60.0	16.7	14.5	1450	3.8	7.5	62.0	2.5	230
		100.0	27.8	12.5		4.5		76.0	2.5	
		120.0	33.3	11.0		4.8		75.0	3.0	
	A	55.6	15.4	12.4	1450	3.1	5.5	61.0	2.5	215
		92.6	25.7	10.7		3.7		73.5	2.5	
		111.0	30.8	9.4		3.9		73.0	2.8	
	B	51.7	14.4	10.8	1450	2.6	4	58.0	2.5	205
		86.1	23.9	9.3		3.1		70.0	2.5	
		103.0	28.6	8.2		3.3		69.0	2.6	

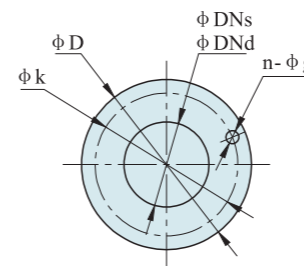
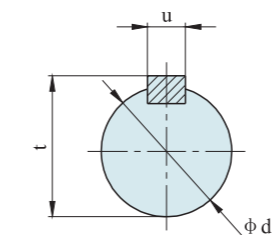
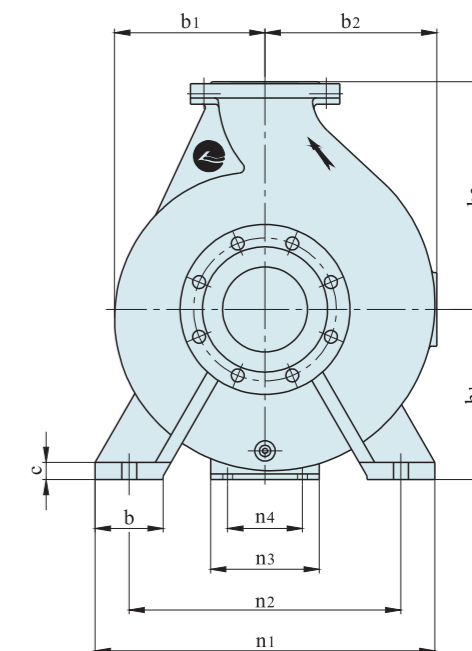
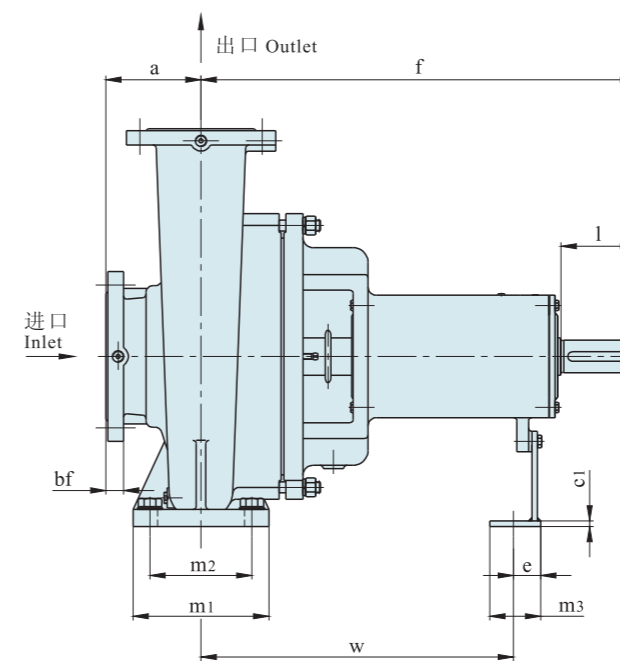




性能参数表 Performance table

型号 Model	叶轮型式 Impeller type	流量 Capacity		扬程 Head (m)	转速 Speed (r/min)	功率 Power (kW)		效率 Eff. (%)	必需汽 蚀余量 (NPSH) <sub>r</sub> (m)	总质量 Total weight (kg)
		(m <sup>3</sup> /h)	(L/s)			轴功率 Shaft	电机功率 Motor power			
250-200-315	B	360.0	100.0	31.6	1480	44.6	75	69.5	5.4	984
		590.0	163.9	28.5		55.2		83.0		
		720.0	200.0	25.8		61.3		82.5		
250-200-400	O	380.0	105.6	56.3	1480	82.0	160	71.0	5.5	1750
		630.0	175.0	54.5		110.6		84.5		
		760.0	211.1	51.5		129.2		82.5		
	A	380.0	105.6	52.0	1480	75.8	132	71.0	5.5	1680
		630.0	175.0	50.0		101.5		84.5		
		760.0	211.1	46.7		117.1		82.5		
B	360.0	100.0	46.8	1480	66.0	110	69.5	5.4	1570	
	600.0	166.7	45.0		88.6		83.0			
	720.0	200.0	42.0		101.6		81.0			
300-250-315	O	670.0	186.1	37.0	1480	119.8	132	73.0	6.5	1600
		960.0	266.7	32.0		158.3		86.0		
		1150.0	319.4	28.5		183.6		84.0		
	A	600.0	166.7	30.9	1480	104.9	110	71.0	6.5	1535
		860.0	238.9	26.7		138.5		84.0		
		1030.0	286.1	23.8		160.8		82.0		
	B	575.0	159.7	25.2	1480	89.2	90	70.5	6.5	1391
		820.0	227.8	21.8		116.1		83.5		
		985.0	273.6	19.4		135.6		81.0		
300-250-400	O	670.0	186.1	53.5	1480	119.8	200	73.0	7.0	1600
		960.0	266.7	50.0		158.3		86.0		
		1150.0	319.4	47.2		183.6		84.0		
	A	600.0	166.7	46.0	1480	104.9	160	71.0	7.0	1535
		860.0	238.9	44.0		138.5		84.0		
		1030.0	286.1	38.0		160.8		82.0		
	B	575.0	159.7	40.0	1480	89.2	132	70.5	7.0	1391
		820.0	227.8	38.0		116.1		83.5		
		985.0	273.6	32.0		135.6		81.0		
350-300-315	O	840.0	233.3	44.0	1480	130.3	200	77.0	7.5	1900
		1200.0	333.3	41.0		164.0		85.0		
		1440.0	400.0	38.0		168.9		82.0		
	A	770.0	213.9	37.0	1480	113.0	160	75.0	7.5	1810
		1100.0	305.6	35.0		141.2		83.0		
		1320.0	366.7	32.0		145.4		80.0		
B	700.0	194.4	34.0	1480	93.8	132	74.0	7.5	1800	
	1000.0	277.8	32.0		117.8		81.5			
	1200.0	333.3	30.0		120.1		79.0			
350-300-400	O	840.0	233.3	57.0	1480	166.7	250	75.5	8.0	2010
		1200.0	333.3	50.0		217.8		85.5		
		1440.0	400.0	43.0		237.2		82.5		
	A	770.0	213.9	47.0	1480	141.1	200	75.0	8.0	1950
		1100.0	305.6	44.0		184.3		84.5		
		1320.0	366.7	37.0		202.2		81.5		
	B	700.0	194.4	41.0	1480	116.3	160	74.0	8.0	1860
		1000.0	277.8	38.0		152.9		83.5		
		1200.0	333.3	32.0		167.7		80.5		

泵头安装尺寸图 Size of installation of pump head



进、出口法兰  
Inlet, outlet flange

法兰尺寸 Flange size

DNs DNd	D	bf	k	g	n
32	140	18	100	18	4
40	150	18	110	18	4
50	165	20	125	18	4
65	185	20	145	18	4
80	200	22	160	18	8
100	220	22	180	18	8
125	250	26	210	18	8
150	285	26	240	22	8
200	340	26	295	22	12
250	405	28	355	26	12
300	460	28	410	26	12
350	520	30	470	26	16
400	580	32	525	30	16





